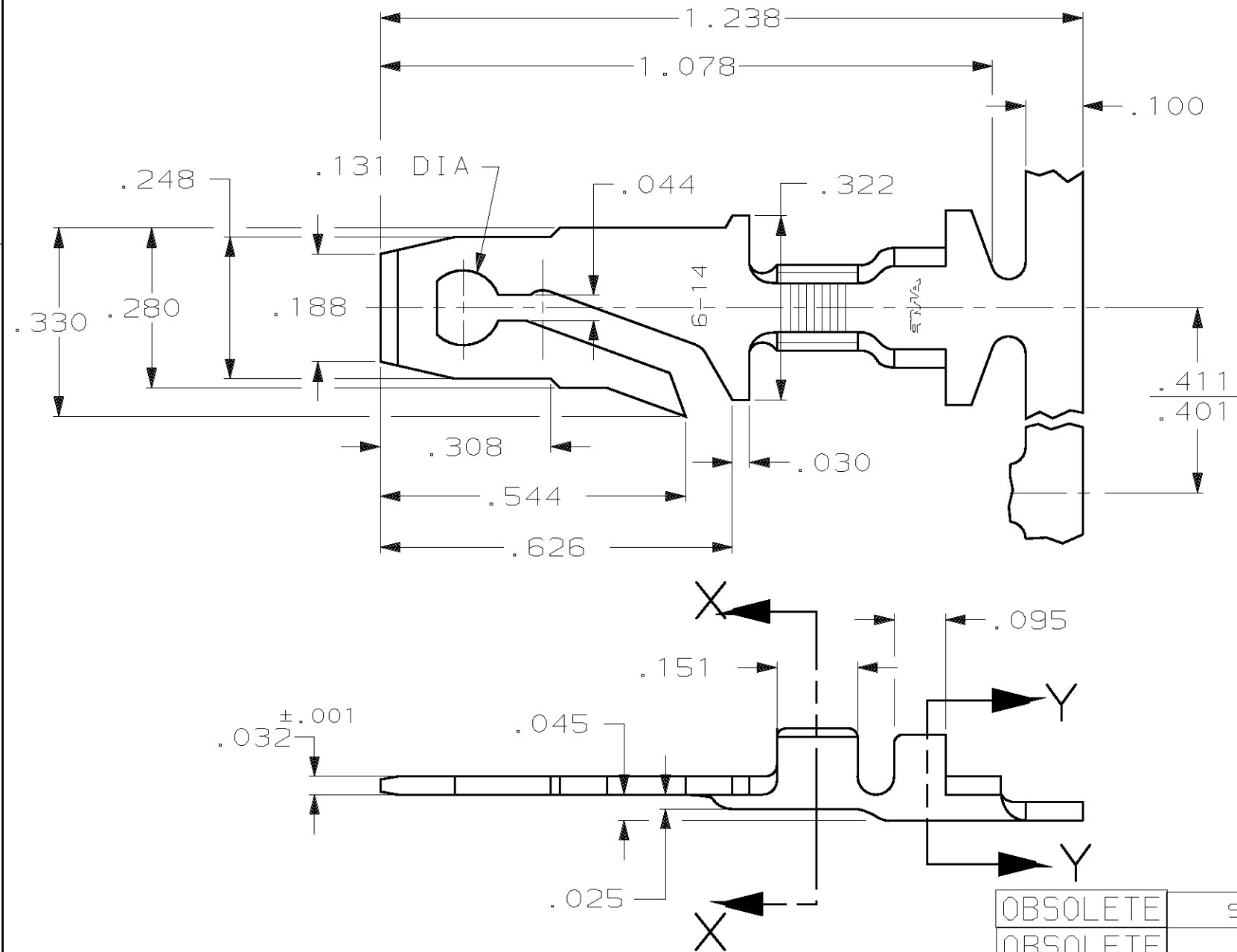
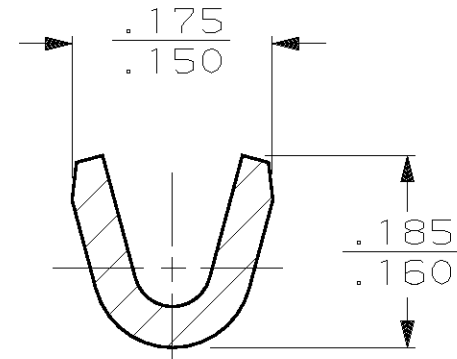


THIS DRAWING IS UNPUBLISHED. RELEASED FOR PUBLICATION, 19  
 © COPYRIGHT 19 BY AMP INCORPORATED. ALL INTERNATIONAL RIGHTS RESERVED.

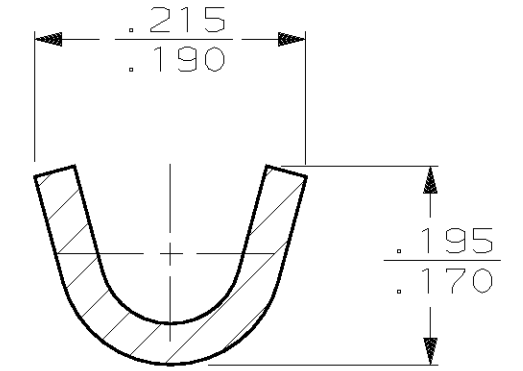
LOC	DIST	P	F	REVISIONS				
AF	50			ZONE	LTR	DESCRIPTION	DATE	APPD
					U	REVISED PER 0L10-0356-97	8/26/97	JR/JH



1 CONTINUOUS STRIP ON REELS



SECTION X-X  
SCALE 8:1



SECTION Y-Y  
SCALE 8:1

OBSOLETE	SILVER OILED	.090-.130	16-14	<del>60794-4</del>
OBSOLETE	SILVER	.090-.130	16-14	<del>60794-3</del>
	TIN .000080 MIN	.090-.130	16-14	60794-2
OBSOLETE	-	.090-.130	16-14	<del>60794-1</del>

FINISH	INSUL RANGE	WIRE SIZE	PART NO
DO NOT SCALE PRINT. UNLESS SPECIFIED DIMENSIONS IN INCHES TOLERANCES ON: 2 PLC DEC ± - 3 PLC DEC ± .015 ANGLES ± -	DR 11/8/88 JR RUTH CHK 11/8/88 MS FEHER APPD 11/8/88 C MEYERS APPD 11/8/88 R KUZO	AMP INCORPORATED Harrisburg, Pa. 17105	
MATERIAL #2H BRASS	PRODUCT SPEC -		
FINISH SEE TABLE	APPLICATION SPEC 114-2029 WEIGHT -	NAME TAB, FASTON,™ .250 SERIES	SIZE <b>B</b>
		FSCM NO 00779	DRAWING NO 60794
		SCALE 4:1	SHEET 1 OF 1